

DIFFERENTIAL PRESSURE TRANSMITTER

solide model, wear-free

Measuring ranges 0...400 mbar up to 0...6 bar



This type is a measuring transducer for measuring non-aggressive gas-like and fluid media that is neutral to overpressure, negative pressure and differential pressure.

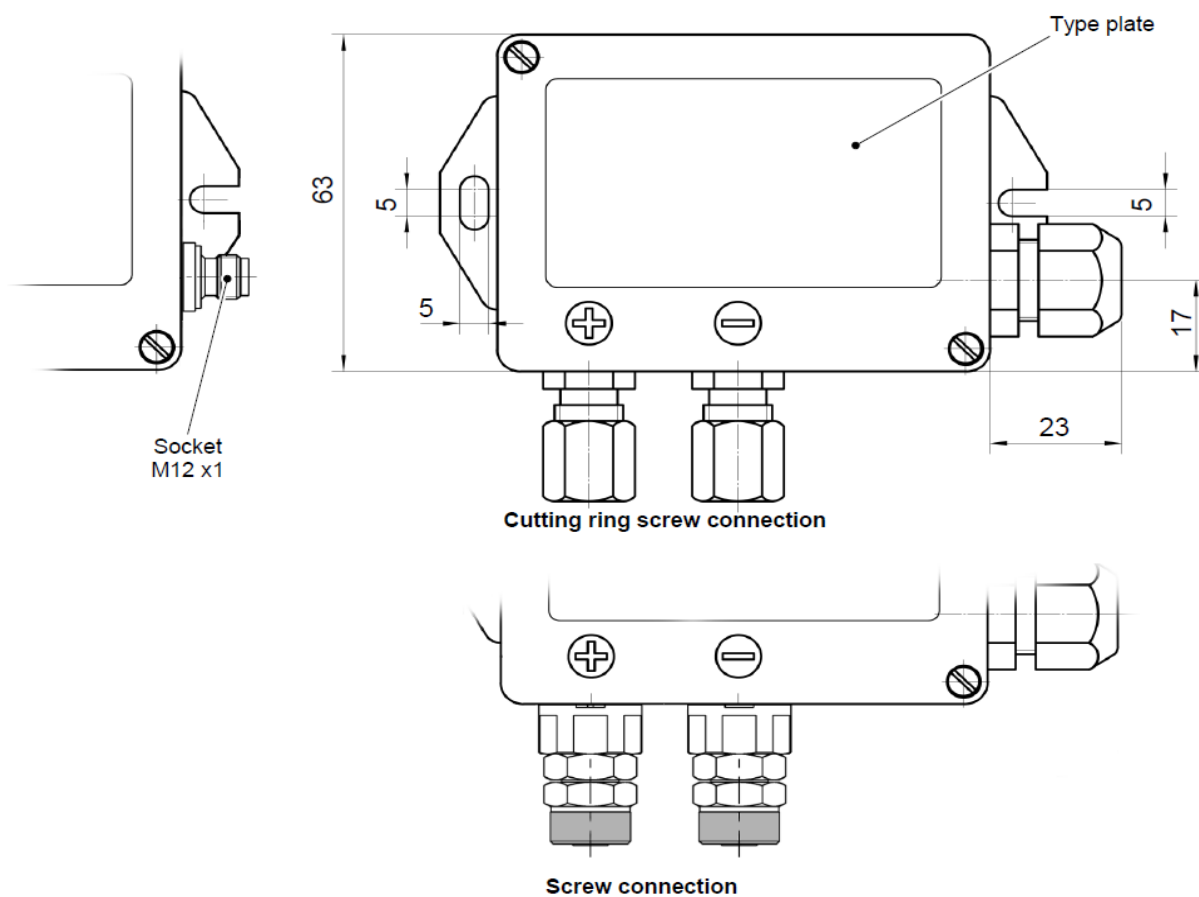
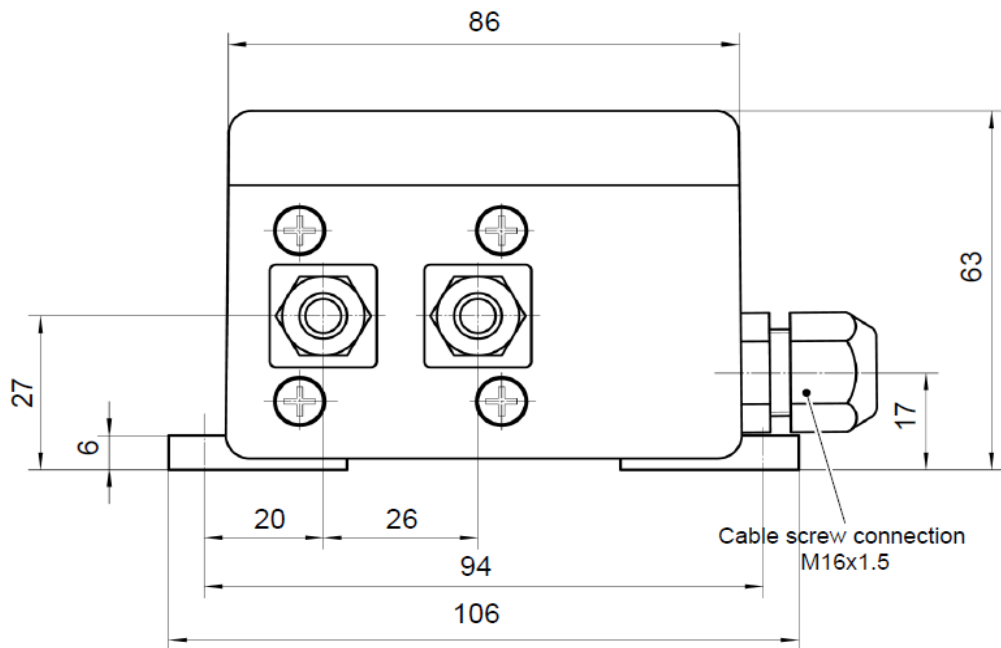


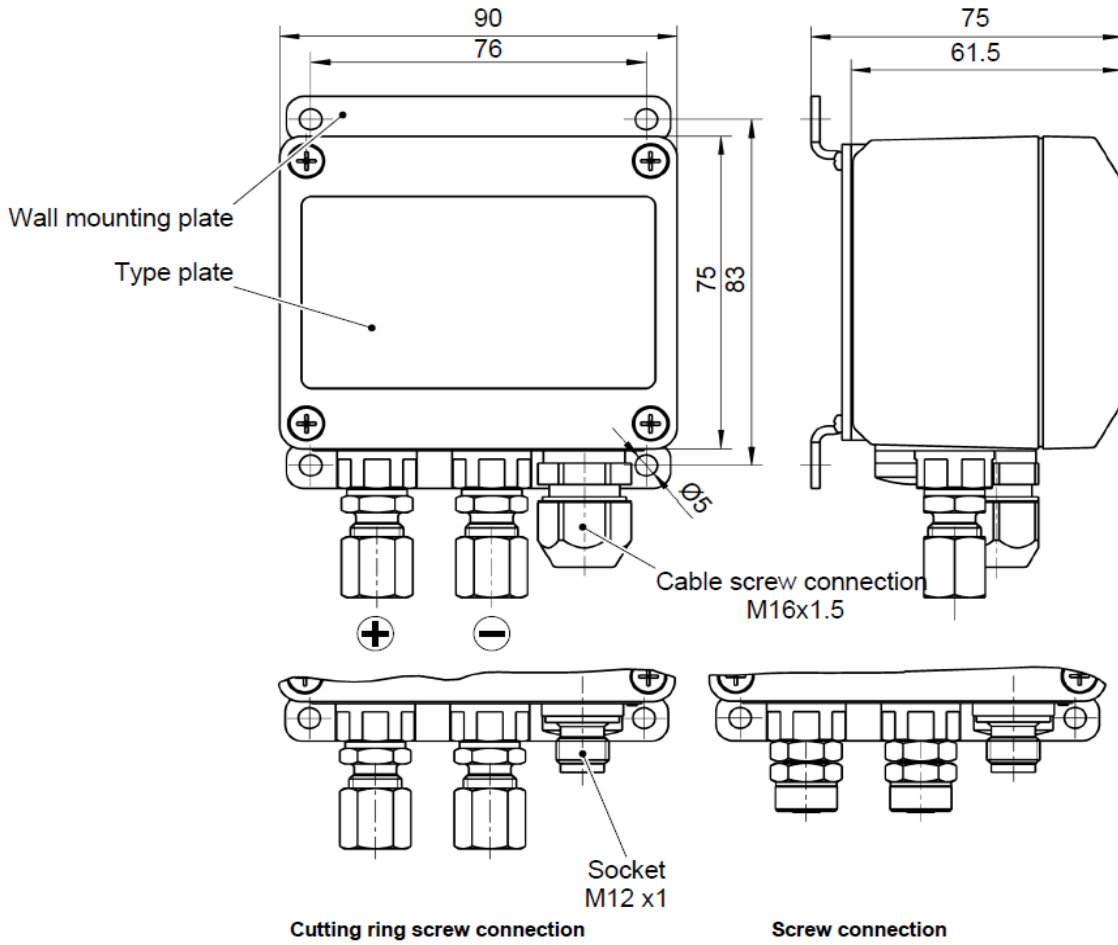
Applications

Heating systems
Monitoring of filters, fans and compressors
Ship applications (only DNV GL model)

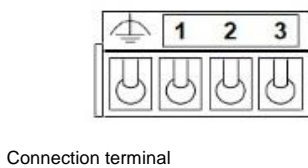
Type	2804	Options
Accuracy	Linearity $\pm 2\%$, Hysteresis $\pm 1\%$ of the measuring range span	
Measuring ranges	0...400 mbar up to 0...6 bar	
Nominal pressure	max. 16 bar	
Bursting pressure	± 25 bar both-side	
Overload capability	max. 16 bar on one side, vacuum-proof on both sides	
Case	Polyamid (PA6 GB30)	
Cable screw connection	Polyamid (PA6)	
Cable outer jacket	PVC	M12 plug flange casing PA66
Measuring system	Brass	Stainless steel 1.4310
Diaphragm	NBR	Viton®
Cutting ring screw	Nickel-plated brass	Hose screw connection Aluminium anodised
Protection class	IP54 according to EN 60529	IP54 DNV GL type IP65 acc.to EN 60529
Process connection	G 1/8 female	Cutting ring screw for 3/6/8 mm pipe Hose screw for 6/4 or 8/6 mm hose
Allowed temperatures	Area 0°C...+70°C Media 0°C...+70°C Storage 0°C...+70°C	
Auxiliary energy rated voltage	Current output 24 V AC/DC	Voltage output 24 V AC/DC
admissible oper. voltage	20...28 V AC/DC	20...28 V AC/DC
Power consumption	max. 1 W (VA)	max. 0,5 W (VA)
Output signal	4...20 mA 3-wire	0...20 mA, 0...10 V DC
Installation position	user-defined	
Electrical connetion	M16 x 1,5 mm screw terminal, cable \varnothing 4,5...10 mm screw terminal with wire protection	Number cable 1/2,5/5 m M12 x1 5pol, M12 connection cable
Accessories	see page 3	

all values at reference conditions (acc. to IEC 61298-1)

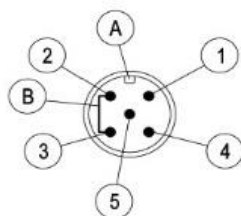




Terminal assignment



Pin	Signal name	Labelling of cables
1	Outlet	green/yellow
2	Supply	+Sig
3	Supply	-Sig



1	Supply	+Ub	brown
2	Outlet	-Sig	white
3	Supply	-Ub	blue
4	Outlet	+Sig	black
5	Functional earth		green/yellow
A	Coding A		
B	internal bridge		

M12 plug 5-pin + bridge