

# PRESSURE TRANSMITTER



## For low pressure Stainless steel sensor

perfect thermal behaviour  
excellent long term stability

### Applications

Plant and machine engineering  
Heating, ventilation and airconditioning

### Measuring media

gases, pressurized air and non-aggressive low viscos oils

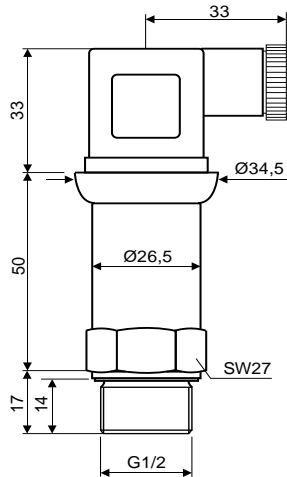


Type	3390	Options
Nominal pressure	0...10 mbar up to 0...1000 mbar	
Accuracy	Nominal pressure <100 mbar: $\leq \pm 0,5 \%$ FSO Nominal pressure $\geq 100$ mbar: $\leq \pm 0,35 \%$ FSO	
Output signal Supply	4...20 mA / 2-wire, $U_B$ 8 ... 32 V <sub>DC</sub>	0...10 V / 3-wire = <b>Type 3395</b> 0...20 mA on request
Permissible load	Current 2-wire: $[R_{max} = (U_B - U_{B min}) / 0,02 A] \Omega$	
Influence effects	Supply: 0,05 % FSO / 10 V, Load 0,05 % FSO / k $\Omega$	
Long term stability	$\leq \pm 0,3\%$ FSO / year at reference conditions, at PN < 100 mbar $\leq \pm 0,1\%$ FSO / year at reference conditions, at PN $\geq 100$ mbar	
Response time	$\leq 10$ ms	3-wire $\leq 10$ ms
Permissible temperatures	Medium: -40...125°C electronics / environment: -40...85°C Storage: -40...100°C	
Electrical protection	Short-circuit protection permanent, Reverse polarity protection (no damage, but also no function) Electromagnetic compability: emission and immunity according to EN 61326	
Mechanical stability	Vibration: 10 g RMS (25...2000 Hz) acc. to DIN EN 60068-2-6 Shock: 500 g / 1 ms acc. to DIN EN 60068-2-27	
Materials		
Pressure port	Stainless steel 1.4404	G1/4, G1/2 a. o.
Case	Stainless steel 1.4404	
Seal (media wetted)	FKM	
Sensor	Stainless steel 14404, Silicon, Epoxy or RTV, glass	
Media wetted parts	Pressure port, seals, sensor	
Explosion protection (only 4...20 mA / 2 wire)	IBExU 10 ATEX 1068 X / IECEx IBE 12.0027X in zone 0: II 1G Ex ia IIC T4 Ga in zone 20 : II 1D Ex ia IIIC T 85°C Da	
Weight	approx. 140 g	
Installation position	any position	

## Dimensional drawings

Dimensions in mm

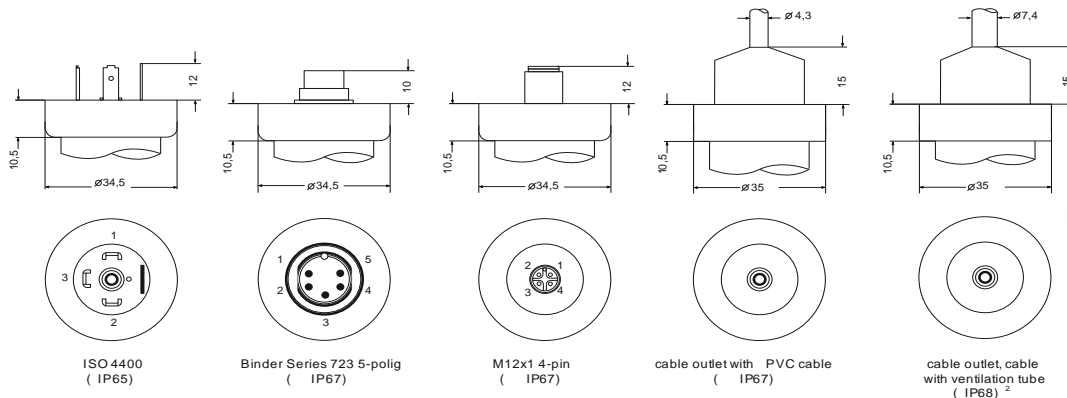
### Type 3390



#### Options:

- G1/2" EN 837
- G1/2" open flange
- G1/4" DIN 3852
- G1/4" EN 837
- 1/2" NPT
- 1/4" NPT

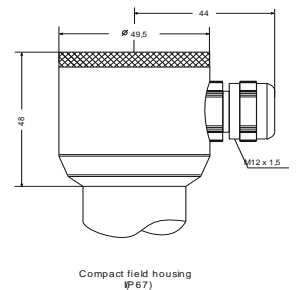
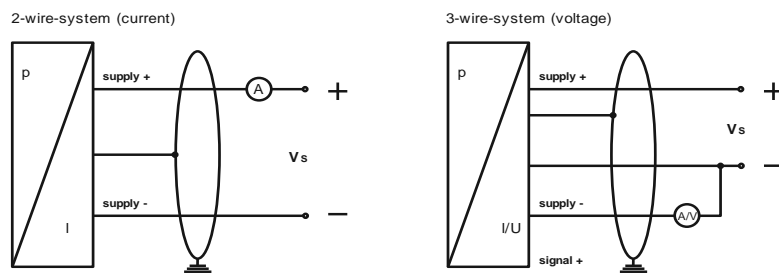
## Electrical connections



<sup>1)</sup> standard: 2 m PVC-cable without ventilation tube ( permissible temperature: 5...70°C)

<sup>2)</sup> different cable types and length available, permissible temperatures depends on kind of cable

## Wiring diagrams



## Pin configuration

Electrical connection	ISO 4400	Binder 723 (5-pin)	M12x1/metal (4-pin)	field housing	cable colours (IEC 60757)
Supply +	1	3	1	IN +	wh (white)
Supply -	2	4	2	IN -	bn (brown)
Signal + (for 3-wire)	3	1	3	OUT +	gn (green)
Shield	ground pin	5	4	pressure port	ye/gn (yellow/green)