

# PRESSURE GAUGES WITH BOURDON TUBE FOR CHEMICAL INDUSTRY WITH MAGNETIC SNAP-ACTION CONTACTS OR INDUCTIVE ALARM CONTACTS ACC. TO EN 837-1



**Diameter 100**  
**Pressure position radial bottom**  
**or back eccentric**  
**with or without dampening**



For controlling or regulating process sequences with given process pressure. The contacts open or close electrical circuits in relation to the position of the pointer on the pressure gauges. Especially suitable for chemically aggressive gases or liquids, which should not be highly viscous or tend to crystallize.

Types	3512	3612	3712	3812	Options
Diameter	100				
Symbol					in safety version with other electrical attachment
Liquid filling		Silicone oil		Silicone oil	Esteroil (silicone free)
Numbers of contacts	from 1 bar each 2 magnetic snap-action or inductive alarm contacts at 1,6 bar 2 magnetic snap-action or 3 inductive alarm contacts from 4 bar 4 magnetic snap-contacts				
Cable connection	PG 13,5, socket right side				
Accuracy class	<= 1,6 bar: cl. 1,6; > 1,6 bar: cl. 1,0 acc. to EN 837-1				
Ranges	0...1 up to 0...1600 bar negative or positive / negative and positive overpressure				MPa, kPa
Applications	Constant load: up to the end of scale value Alternating load: up to 0,9 x end of scale value Short time: 1,3 x overload capacity				up to 2 fold
Case / Ring	Stainless steel, 1.4301				
Window	Plastic, Polycarbonat				
Dial	Al white, scale and printing black				Dual scale
Pointer	Al black				
Movement	Stainless steel				
Measuring element	Stainless steel, 1.4571 (C-Bourdon tube up to 40 bar, helical tube above 60 bar)				
Pressure connection	Stainless steel 1.4571				
Connection position	radial bottom		eccentric back		
Thread	G 1/2 B, M20x1,5				others on request
Temperatures	Medium: -20°C up to 80°C, ambient: -25°C up to 60°C				
Temperature drift	0,3%/10K deviation of normal temperature 20°C				
Protection	IP 54	IP 65	IP 54	IP 65	
Orifice					Ø 0,3, Ø 0,4, Ø 0,8
Approx. Weight	0,9 kg	1,2 kg	0,9 kg	1,2 kg	

Electrical details see the special page - chapter 6!

02/14

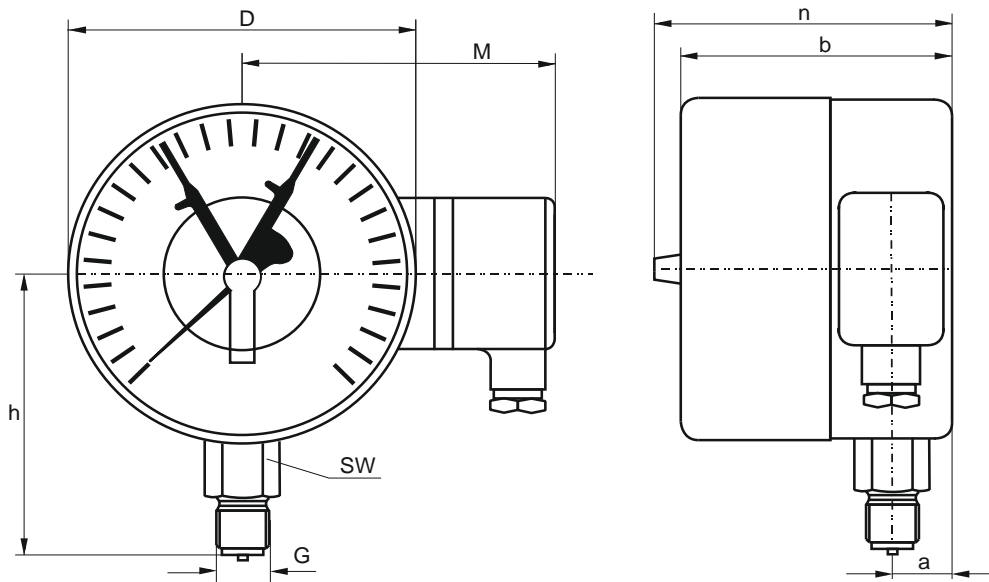
**Types 3512, 3612, 3712, 3812**

Sheet 1.24

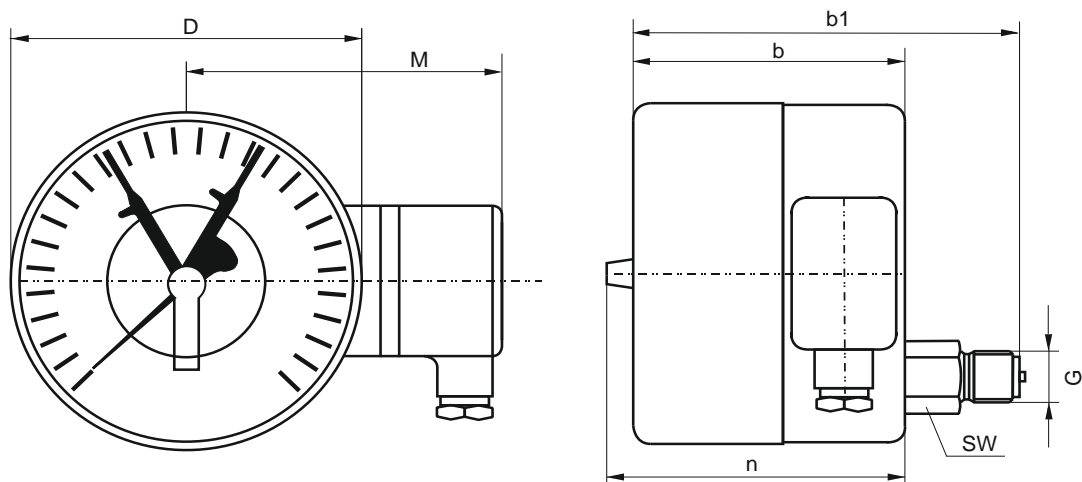
Type	Dimensions in mm									
	ND	a	b	b1	D	G	h	M	n	SW
3512/3612	100	15	78	-	100	G 1/2 B	88	88	88	22
3712/3812	100	-	78	113	100	G 1/2 B	-	88	88	22

**Please note:**

**When ordering specify desired contact behavior with increasing pressure!**



**Type 3512/3612**



**Type 3712/3812**