

DIGITAL DIFFERENTIAL PRESSURE SWITCH / TRANSMITTER

with colour-change LCD
selectable pressure units



This type is a multi-functional switching unit with an optional transmitter output. It is suitable for measuring overpressure, negative pressure and differential pressure in gaseous media. The device is to be exclusively used for the applications agreed between the manufacturer and the user.



Applications

- Filter equipment
- Precision air channel measurement
- Clean room pressure equalisation
- Burner under-pressure measurement
- Furnace circulating air control

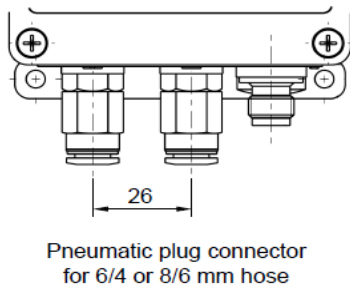
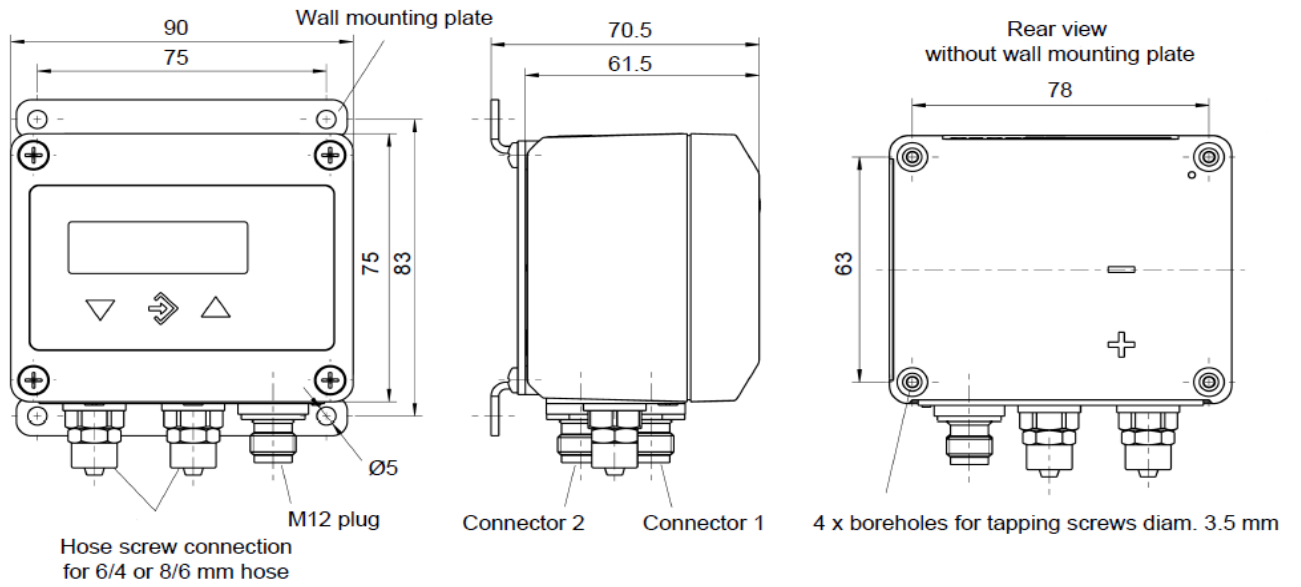
Type	5354		Options
Measuring ranges	0...0,25 mbar up to 0...10 mbar; -0,25 ...0,25 mbar up to -1...1 mbar		
Static operating press.	max. 100 kPa		
Bursting pressure	max. 170 kPa		
Accuracy	max. 1,0% FS		
Case	Polyamide (PA) 6.6		
Wetted parts	Silicon, PVC, aluminium and brass		
Process connection	2x aluminium hose screw connection for 6/4 mm hose		for 8/6 mm hose; 2x pneumatic plug connector for 6/4 or 8/6 mm hose
Allowed temperatures	Area -10°C...+70°C Media -10°C...+70°C Storage -20°C...+70°C		
Power supply	Rated voltage	24V AC/DC	
	Admissible operating voltage	$U_b=20..32V_{DC/AC}$	
	Power consumption	2x round plug connector M12	
	Electrical connection	typ. 2,2 W, max. 3,5 W	
Output signal	Output signal (3-wire) 0...20 mA, 4...20 mA 0...10 V	Signal range 0,0...21,0 mA 0,0...11,0 V	
Switching outputs	2 potential-free relay contacts	2 potential-free semiconductor switches (MOSFET)	
progr. switch. Function	Normally open (NO)	One-pin activator (NO)	
max. switch. voltage	Normally close (NC)	One-pin deactivator (NC)	
max. switch. current	32 V AC/DC	3...32 V AC/DC	
max. switch. output	2 A	0,25 A	
	64 W (VA)	8W / 8 VA; Ron ≤4 Ω	
Display	4...6 digit LCD, full graphic, colour backlighting		
Mounting	Boreholes on rear for attaching to level mounting plates		Wall mounting plate, panel mounting set
Accessories	see page 3		

all values at reference conditions (acc. to IEC 61298-1)

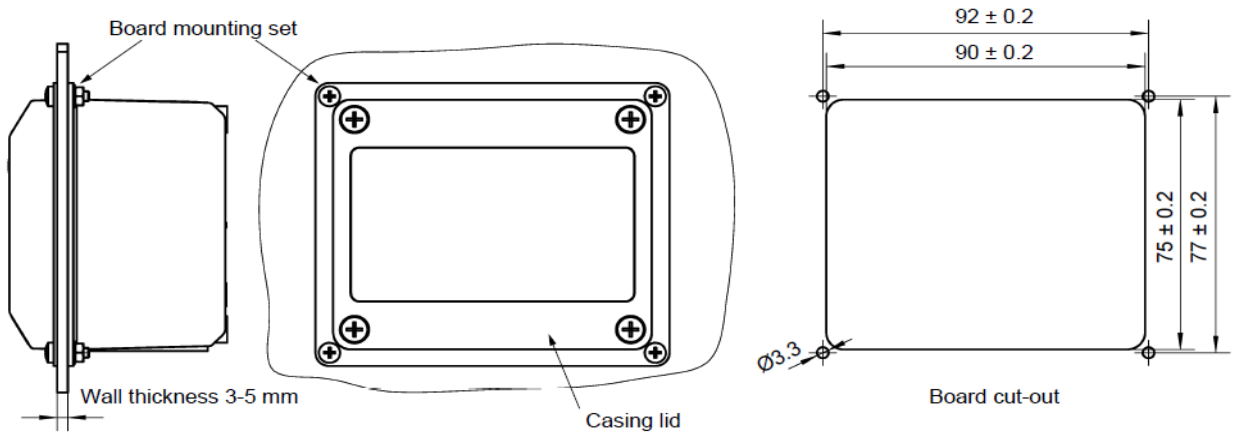
Dimensional drawings

Dimensions in mm

Wall mounting



Installation of front panel

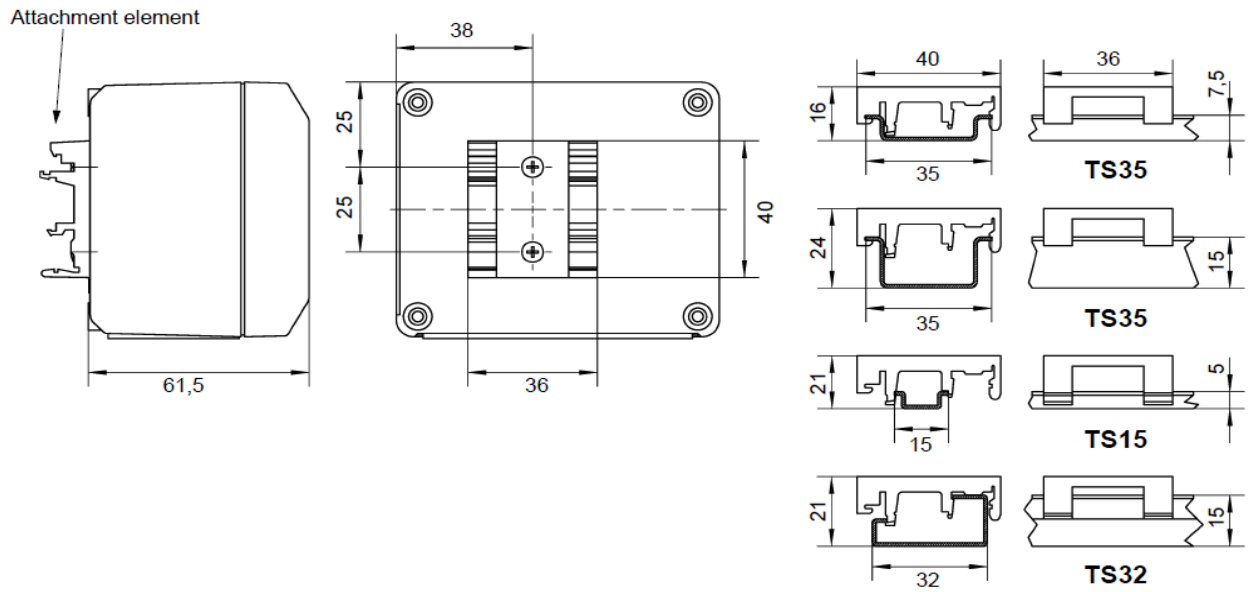


Dimensional drawings

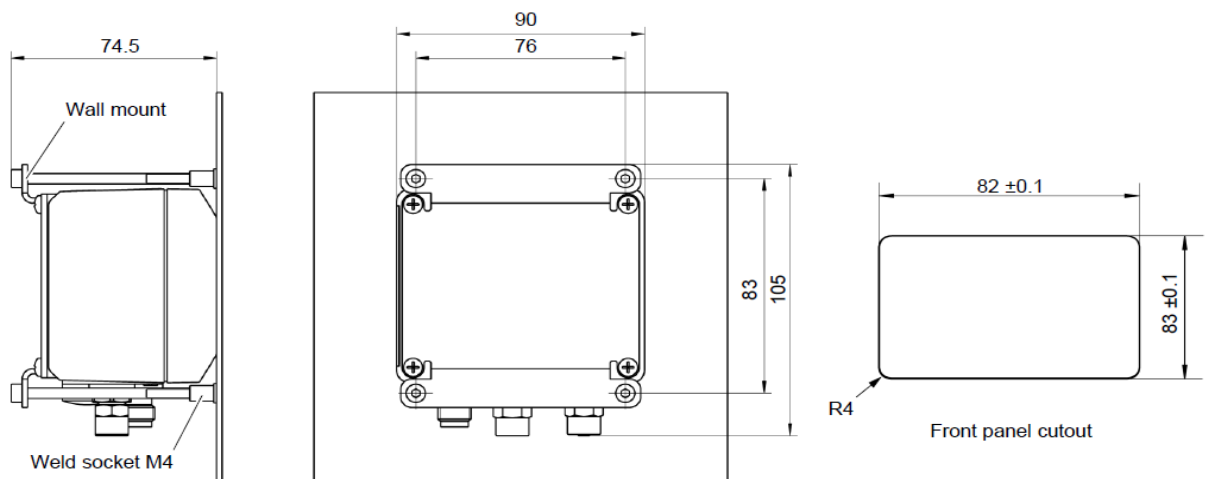
Dimensions in mm



Assembly of the mounting rails

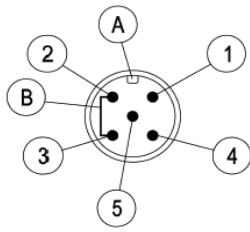


Installation of the panel



Electrical connections

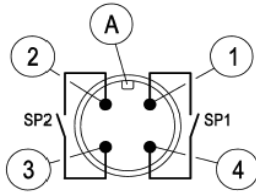
Connector 1 - Supply and output signal



Connector 1 (Supply and output signal)

- A Coding
- B Bridge
- 1 Power supply (+Ub)
- 2 Output (- Sig)
- 3 Power supply (-Ub)
- 4 Output (+ Sig)
- 5 not connected

Connector 2 - Switching outputs



Connector 2 (Switching outputs)

- A Coding
- 1 Switch output 1
- 2 Switch output 2
- 3 Switch output 2
- 4 Switch output 1

Programming via membrane key-switches or by using PC-programming interface

Damping 0,0...100,0 s (step response time 10/90%)

Switching outputs activation point, de-activation point, response time delay (0...1800s), function (Normally open, Normally Close)

Measuring range unit bar, PSI, kPa, "free unit"

start value, end value and decimal place for "free unit"

Output signal can be set at any point of measuring range

Zero-point suppression 0...1/3 of measuring range (measured value deviation symmetric about zero are set to zero)

Offset correction $\pm 1/3$ of measuring range (Zero calibration setting may change with mounting orientation)

Output characteristic curve linear, square rooted, table (3...30 entries)

Password 001...999 (000 = password protection disabled)

Accessories

Transmitter PC Interface incl. PC-Software