

DIFFERENTIAL PRESSURE TRANSMITTER

with ceramic sensor
different connections



The differential pressure transmitter is suitable for measuring over-pressure, negative pressure and differential pressure in basically neutral fluids and gases. It is suitable for all measuring tasks in industrial or sanitary sectors.



Applications

Industry
heating, ventilating and plumbing

Type	5360		Options
Measuring ranges	0...0,6 bar up to 0...10 bar		
Overpressure safety	Measuring range	(+) side (-) side	
	0...0,6 up to 0...2,5 bar	10 bar 5 bar	
	0...4 bar up to 0...6 bar	21 bar 15 bar	
	0...10 bar	25 bar 25 bar	
Bursting pressure	64 bar both-sides		
Deviation	≤1,0% (incl. Non-linearity and hysteresis), at 0...0,6 bar ≤1,6%		
Materials			
Closing lid	Zamak ZL0400 (GD-ZnAL4)		
Pressure chamber	Brass		1.4305
Wall mount	1.4301		
Electrical plug	Polyamid		
wetted parts			
Pressure chamber	Brass		1.4305
Sensor membrane	Ceramic (Al ₂ O ₃) with Parylene coating		
O-ring	EPDM		
Process connection	G1/8 female		Cutting ring screw for 6/8 mm pipe, O-ring EPDM or Pneumatic plug connector for 6/4 or 8/6 mm hose, O-ring NBR
Material connection	Nickel-plated brass		1.4305
electrical connections	5 x 0,34 mm ² PUR-cable with M12 coupling, straight, 1 m		length 2,5,7,10,15 m
Allowed temperatures	Area	-20°C...+80°C	
	Media	-20°C...+90°C	
	Storage	-20°C...+80°C	
Protection class	IP65 acc. to DIN EN 60529		
Power supply	Rated voltage	24V AC oder 24 V DC	
	Admissible operating voltage	U _b =19,2..28,8V _{DC/AC}	
	Power consumption	< 1,5 W (VA)	
Output-signal	3-wire 4...20 mA, limits max. 21 mA		0...10 V (3-wire), Apparent ohmic resistance > 2kΩ
	Apparent ohmic resistance 24V DC ≤ 700Ω, 24V AC ≤ 400Ω		

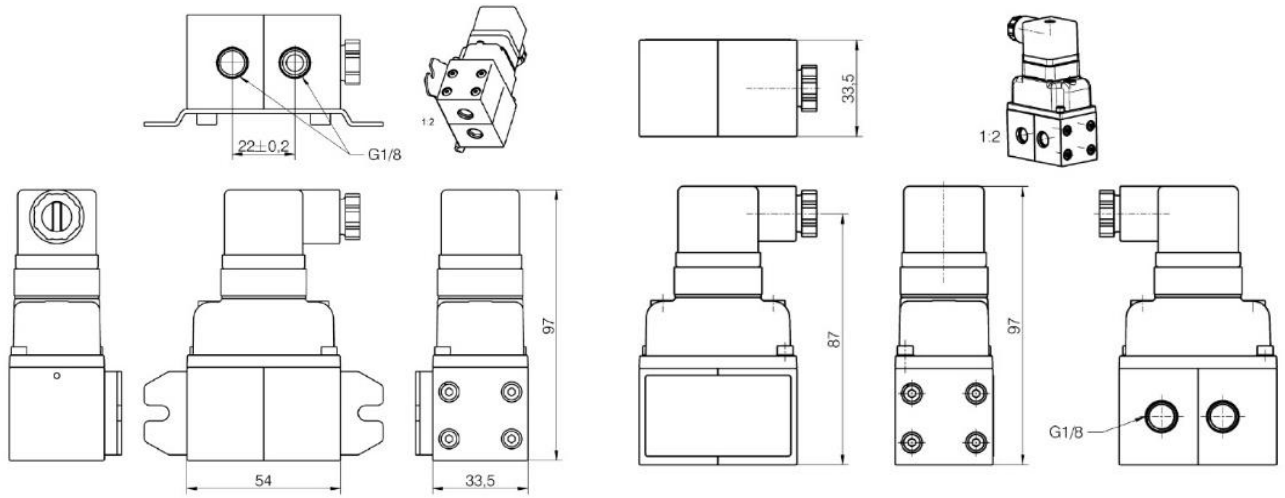
all values at reference conditions (acc. to IEC 61298-1)

Dimensional drawing

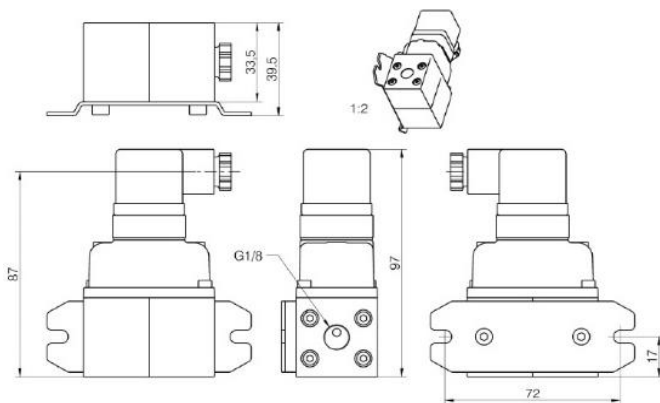
Dimensions in mm

Process connection bottom

Process connection back



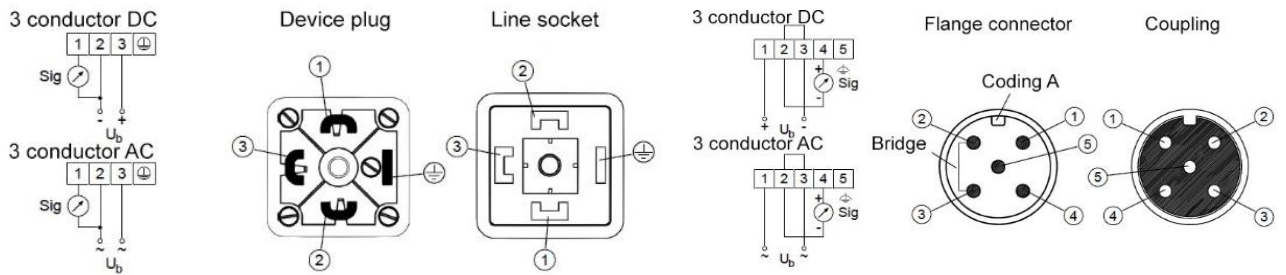
Process connection side (axial)



Electrical connections

Standard plug DIN EN 175 301-803-A

M12 plug DIN EN 61079-2-101



A silicone and halogen-free control cable 4 x 0,5 mm² to max. 1,5 mm² can be used as a connection cable.

A flexible, silicone and halogen-free control cable (5 x 0,35 mm²) with an axial M12 coupling can be used as a connection cable. Prefabricated lines in different length are available as accessories.