

Differential pressure measuring instruments with magnetic piston and compression spring



Diameter 80

with or without electrical contact device



Description

This differential pressure gauges measuring instruments with magnetic piston take the conditions experienced in use into full consideration and meet the demands set in the gas, water and air supply sectors and for the treatment of such media.

The measuring instruments are suitable for liquid and gaseous media in so far as these are not highly viscous and do not crystallise. Moreover, they must not contain magnetic material.

Differential pressure measuring instruments with electric contacts are suitable for controlling and regulating process sequences by means of the given process pressure.

Function

The **magnetic piston** separates the measured media chambers + and – in which the different pressure ratios are given. The magnetic piston moves axially and supports itself on the **measuring range spring** due to the different pressure ratios (differential pressure) A **ring magnet** is provided on the instrument pointer which follows the magnetic piston so that each position of the piston is allocated to a defined pointer position.

The constructive design allows complete mechanical separation of the measuring system from the display and prevents any leakage to the outside.

The flow from the + to the – measured chamber is minimal in volume because of the constructive design and does not interfere in normal applications.

A fine filter is to be provided in front of the + measured media chamber in the case of measured media containing a high proportion of floating particles.

Features

- o measuring cell in corrosion-resistant material, high grade stainless steel
- o static pressure and overloading to 100 bar, optionally to 250 or 400 bar
- o contact device can be fitted in retrospect on the site
- o fastening bezel replaceable on the site
- o compact version, easy fitting


Ranges

0...400 mbar up to 0...10 bar

Applications

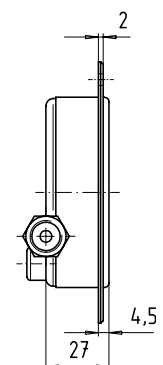
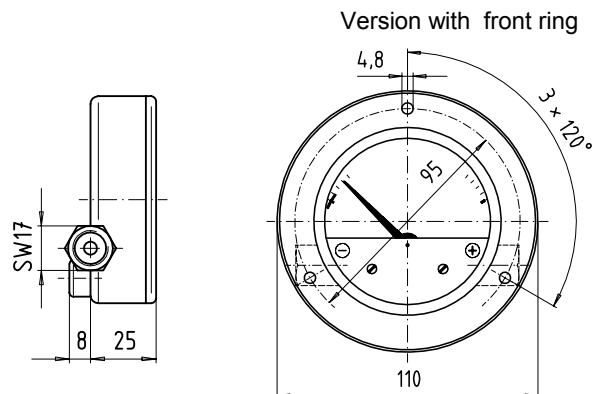
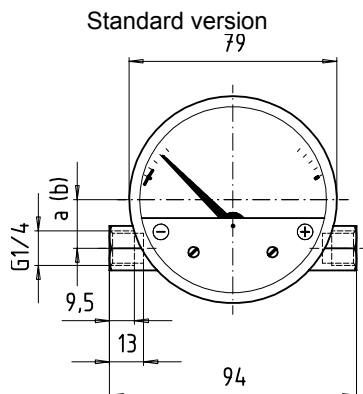
Filter plants, pipeline systems, valve and pump monitoring, gas, water and air supply lines.

Technical Details

Types	5600	5602	Options
Diameter	80		
Symbol			
Type of contact	none	Reed – contact	
Number of contacts	none	1 - 2	
Electrical connection	none	cable connector 6 screws terminals + PE, cross section of the conducting wire 2,5 mm ² , screw type conduit fitting M20x1,5	plug connector 2)
Accuracy class	3,0 % of end scale value, related to increasing differential pressure		
Ranges	0 ... 400 mbar to 0 ... 10 bar		
Version	for max. total overpressure (stat. pressure) 100 bar		250 / 400 bar
Overloading	⊕ resp. – Side max. 100 bar		250 / 400 bar
Applications	constant load: up to full scale value alternating load : 0,9-x full scale value		
Case	Aluminium-Zinc-pressure casting, black		Fastening for wall mounting
Ring	none		Front flange
Window	Acryl glass, snap-fitting		
Dial	Al. white, scale: Scale outside black (bar) Scale inside red (phi)		
Pointer	Al. black		Min. or max. indicator pointer
Magnetic piston (in contact with measured media)	piston, high grade stainless steel 1.4571 Magnet, Barium-Ferrite		
Measuring element (in contact with measured media)	compression spring, stainless steel 1.4310		
Pressure connection - position - thread 3)	stainless steel, 1.4571 right and left, to the side and offset		Fine filter integrated At the bottom or back
	2x G 1/4 inner thread		Other thread
Temperatures - Medium - Ambient	Tmin. -20°C, Tmax. 100°C		
	Tmin. -20°C, Tmax. 60°C		
Protection	IP 54 acc. to EN 60 529 / EC 529		

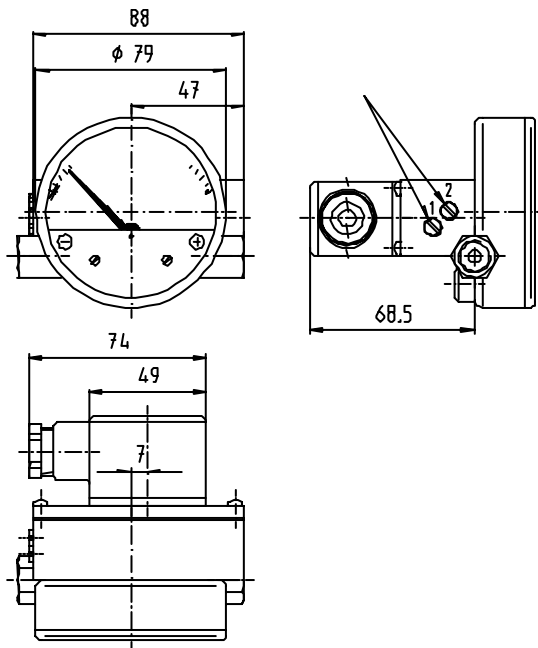
Dimensions

Type 5600



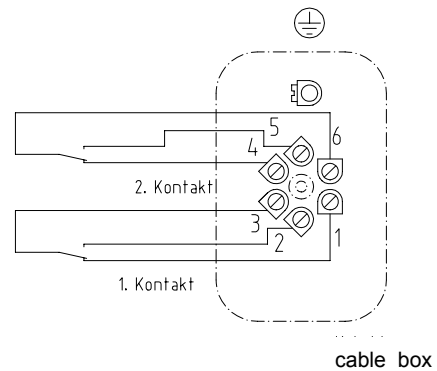
Type 5602

Version with reed-contact (single and/or double changeover contact)



Switching point by means of adjustable spindle from the outside over a range of 10 % to 100 % of the full scale value

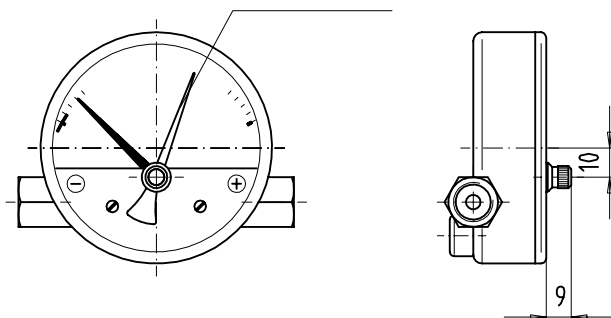
Max. switching voltage: 250 VDC/VAC 30VDC/VAC
 Max. switching capacity: 30 W 5 W
 Max. current: 1A 0,5A
 switching reverse voltage: 5% of full scale value



connection diagram

Option (Types 5600 or 5602)

Minimum or maximum drag pointer



Connection scheme

Separation diaphragm

