

BOURDON TUBE PRESSURE GAUGE, FILLABLE CHEMICAL EXECUTION ACC. TO EN 837-1

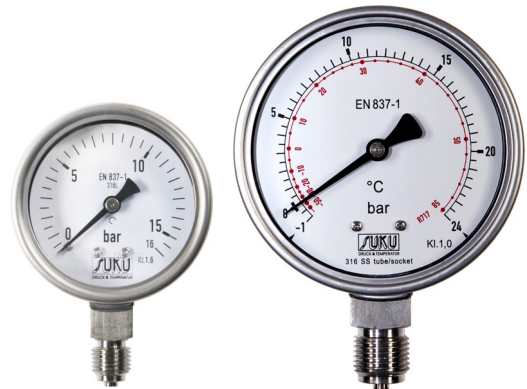


DRUCK & TEMPERATUR

Nominal diameter 63, 100, 160
Stainless steel

For pressure measurement under harsh operating conditions in production plants in the chemical industry and other comparable branches of industry.

In the case of the version with glycerine filling in the housing, the measuring system is dampened when pulsating pressures and mechanical vibration occur and protected against wear.



Type	6035	6036	6625	6629	6616	Options
Nominal size	63	63	100	100	160	
	fillable					Glycerine filling
Symbol						
Accuracy acc. to EN 837-1	1,6	1,6	1,0	1,0	1,0	cl. 1,0 type 6035 and 6036
Measuring ranges	0...1 up to 0...400 bar		0...2,5 bar - 0...40 bar	0...6 bar - 0...25 bar	0...6 bar - 0...40 bar	neg. and/or pos. overpressure, others on request
Applications	Constant load: 3/4 x end of scale value Alternating load: 2/3 x end of scale value Overload: end of scale value		Constant load: end of scale value Alternating load: 0,9 x end of scale value Overload: 1,3 x end of scale value, short time!			
Case	Stainless steel 1.4301 (pressure release opening)					
Ring	Bayonet, stainless steel 1.4301					
Measurement	Stainless steel 316L (1.4404)					
Connection mat.	Stainless steel 316L (1.4404)		Stainless steel 316 (1.4401)			
Thread	G 1/4 B		G 1/2 B und M 20 x 1,5			others on request
Connection position	radial bottom	centric back	radial bottom	eccentric back	radial bottom	
Window	Safety glass		Glass	Safety glass		
Movement	Stainless steel					
Dial	Aluminium white, scale and lettering black					Special scale NH ₃ scale
Pointer	Aluminium black					
Temperatures unfilled filled	Medium: -20°C up to +100°C, ambient: -40°C up to +60°C Medium: -20°C up to +70°C, ambient: -20°C up to +60°C					Medium up to 200°C
Orifice	Stainless steel					
Protection	IP65 acc. to EN 60529 / IEC 529		IP54 acc. to EN 60529 / IEC 529			
Weight unfilled	approx. 0,2 kg		approx. 0,55 kg		approx. 1,05 kg	

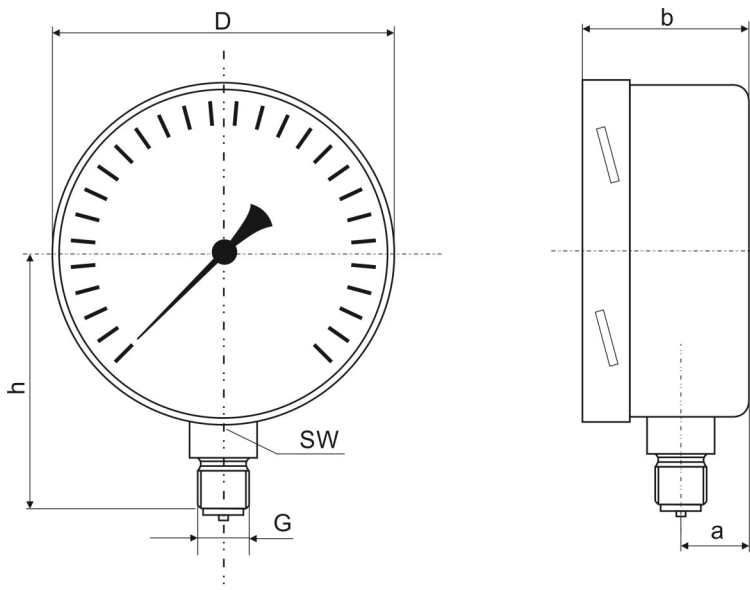
Dimensional drawings

Dimensions in mm

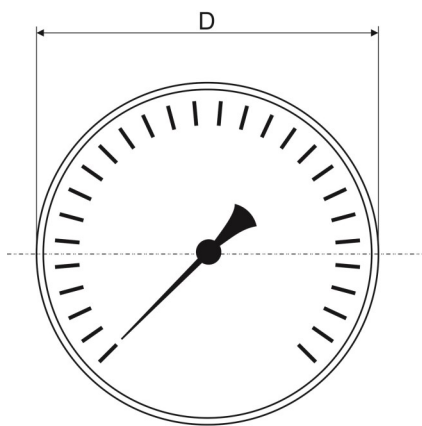


DRUCK & TEMPERATUR

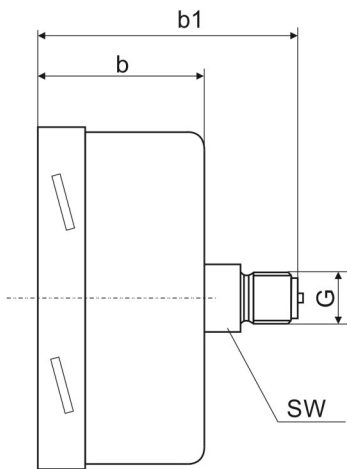
Type 6035, 6625, 6616



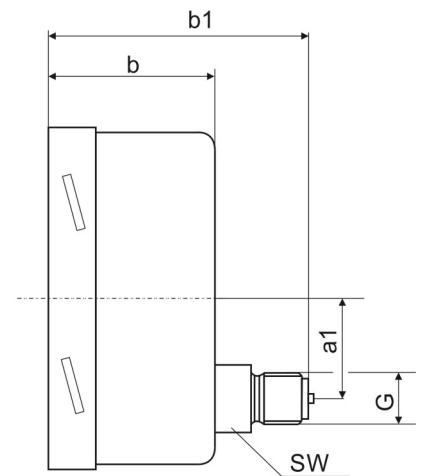
Type 6036, 6629



Type 6036



Type 6629



Type	NS	D	G	SW	b	b1	a	a1	h
6035	63	63	G1/4	14	33	-	10	-	58
6036	63	63	G1/4	14	34	60		-	
6625	100	101	G1/2	22	48	-	28	-	83
6629	100	101	G1/2	22	49	84		32	
6616	160	162	G1/2	22	50	-	16	-	117