

# RESISTANCE THERMOMETER

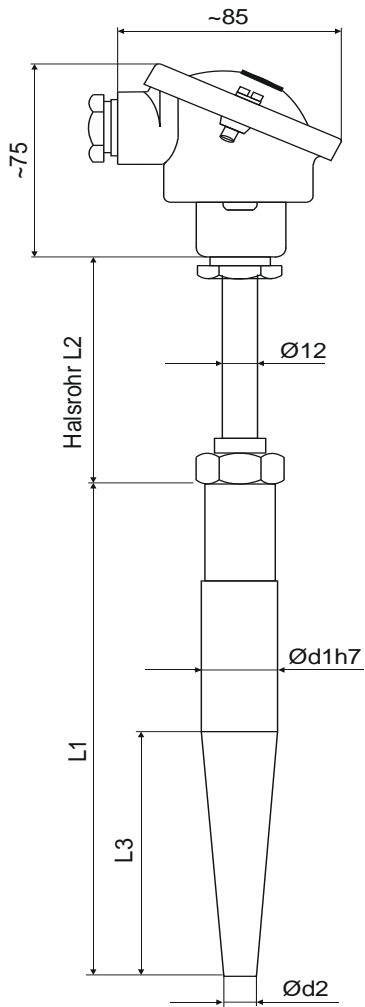
with exchangeable measuring insert  
for welding  
for high operation pressure



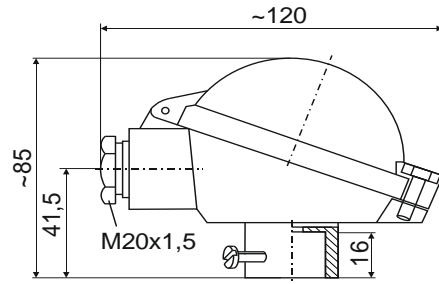
For universal use in processes with liquid and gaseous media,  
at high pressure.

Type	7012	Sonderausführungen
Version	Basic implementation	Ex- implementation GL- implementation
Connection head	Form B acc. DIN 43 729	Form BUZ (Ex Version), other on request
Application temperature	-200 up to +600 °C -50 up to +400°C	up to 380°C (Ex-Version) other on request
Protection classification	IP 54 acc. DIN 60 529	Other on request
Temperature sensor acc. DIN EN 60 751	1 x Pt 100 Kl. F0,15 or W0,15 1 x Pt 100 Kl. F0,3 or W0,3 2 x Pt 100 Kl. F0,15 or W0,15 2 x Pt 100 Kl. F0,3 or W0,3	Other on request
Circuitry	2-wire-circuit 3-wire-circuit 4-wire-circuit	Output 4...20 mA
Protection tube material	1.0460 (C22.8) o. 1.4571	Other on request
Ø d1h7 Protection tube	18 mm 24 mm Details see page 2	
Ø d2 Protection (bottom)	9 mm 12,5 mm Details see page 2	
neck tube length L2	130 mm	Other on request
Insert length L1	140, 200, 260 mm	Other on request
Application	Air-conditioning and refrigeration Pressure vessel and piping Chemical industry Equipment construction Heating and furnace construction	Ship building industry (GL-implementation)

With connection head Form B

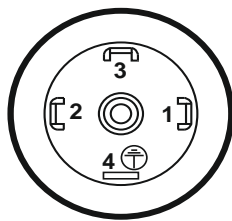


Connection head Form BUZ

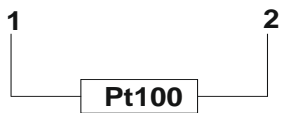


Form	L1	L3	Ød1	Ød2	Ø Measuring insert	Thread
D1	140	65	24	13	6	M18 x 1,5
D2	200	125	24	13	6	M18 x 1,5
D4	200	65	24	13	6	M18 x 1,5
D4S	140	65	18	9	3	M14 x 1,5
D5	260	125	24	13	6	M18 x 1,5

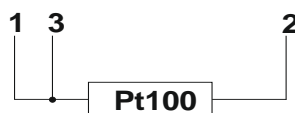
Connection assignments



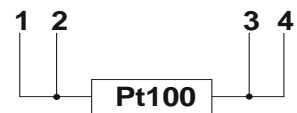
1 x Pt 100  
2-wire-circuit



3-wire-circuit



4-wire-circuit



|| 2 x Pt 100 2-wire-circuit

