

THERMOCOUPLES

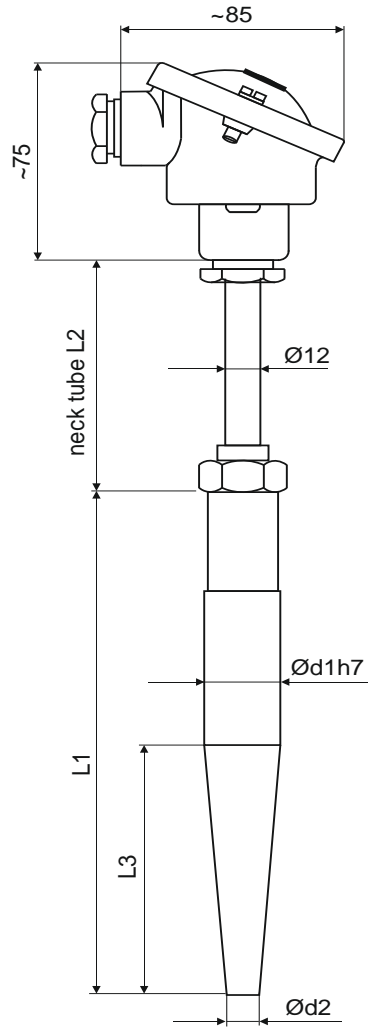
with connection head
with changeable measuring insert
with protection tube for welding



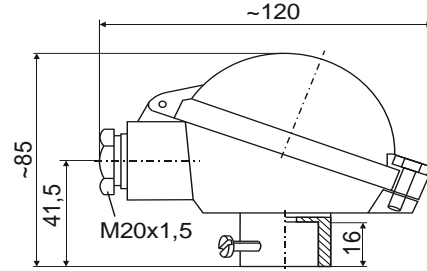
For universal use in processes with liquid and gaseous media,
at high pressure.

Type	7062		Options
Version	Basic implementation		Ex-implementation GL-implementation
Connection head	Form B acc. DIN 43 729		Form BUZ (Ex-Version), other on request
Application temperature	up to +800°C		
Protection classification	IP 54 acc. DIN 60 529		Other on request
Thermo junction	J (Fe-CuNi) DIN EN 60 584 K (NiCr-Ni) DIN EN 60 584		valuable elements on request
Number of thermo junction	1 thermocouple 2 thermocouple		
Wire size	1 mm		
Protectiv tube material	1.0460 (C22.8) 1.4571		Other on request
Ø d1h7 Protective tube (ahead)	18 or 24 mm details see page 2		
Ø d2 Protective tube (bottom)	9 or 12,5 mm details see page 2		
Insert length L1	140, 200, 260 mm		Other on request
Neck tube length L2	130 mm		Other on request
Application	Air-conditioning and refrigeration Pressure vessel and piping Chemical industry equipment construction heating and furnace construction		Ship building industry (GL-implementation)

With connection head Form B



Connection head Form BUZ



Form	L1	L3	Ød1	Ød2	Ø Measuring insert	Thread
D1	140	65	24	13	6	M18 x 1,5
D2	200	125	24	13	6	M18 x 1,5
D4	200	65	24	13	6	M18 x 1,5
D4S	140	65	18	9	3	M14 x 1,5
D5	260	125	24	13	6	M18 x 1,5

Operating temperature / Limit deviations for thermocouples type J and K according to DIN 60 584
(Cold junction temperature 0 ° C)

Typ	max. permissible continuous operating temp. in air (°C)	Permissible limiting error for class 1	in temperature range	Permissible limiting error for class 2	in temperature range
J	700 (temporary 900)	± 1,5 °C	-40°C - 375 °C	± 2,5 °C	-40°C - 333 °C
		± 0,004· t	375 - 750°C	± 0,0075· t	333 - 750°C
K	1000 (temporary 1200)	± 1,5 °C	-40°C - 375 °C	± 1,5 °C	-40°C - 333 °C
		± 0,004· t	375 - 1000°C	± 0,004· t	333 - 1000°C