

RESISTANCE THERMOMETER

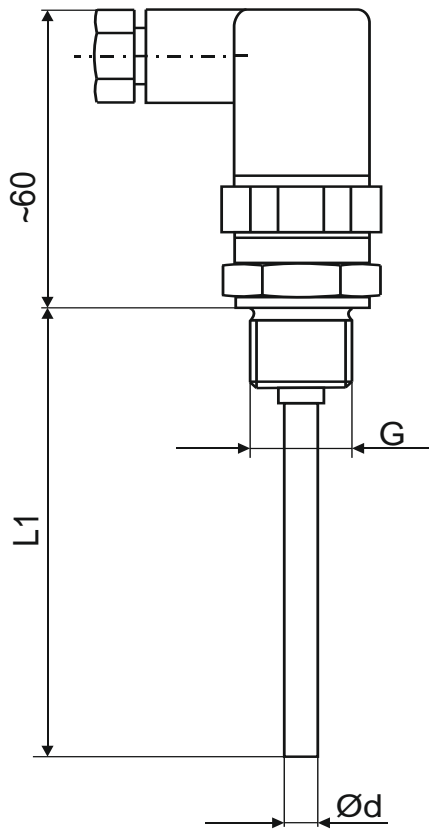
for screwing in with connector



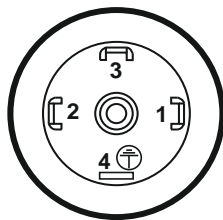
For universal use in processes with liquid and gaseous media, at low to medium pressures.

Type	8010	Sonderausführungen
Connection head	Connector GSP/GDM DIN EN 175301-803	
Application temperature	-50 up to +400°C (max. 120°C near the connector)	Other on request
Protection classification	IP 65 acc. DIN 60 529	
Temperature sensor acc. DIN EN 60 751	1 x Pt 100 Kl. F0,15 1 x Pt 100 Kl. F0,3 2 x Pt 100 Kl. F0,15 2 x Pt 100 Kl. F0,3	Other on request
Circuitry	2-wire-circuit 3-wire-circuit for 1xPt100 4-wire-circuit for 1xPt100	
Protective tube material	1.4571	Other on request
Ø d Protective tube	6 mm	Other on request
Thread G	G ½ A	G ¾ A, G 1 A, Other on request
Insert length L1	25, 100, 250 mm	Other on request
Applications	Mechanical Engineering Air conditioning and refrigeration technology Pressure vessel and piping storage Temperature monitoring Heating and furnace construction Engine monitoring	

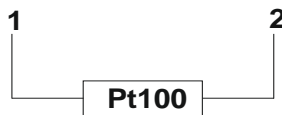
With connector GSP/GDM DIN EN 175301-803



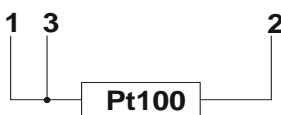
Connection assignments



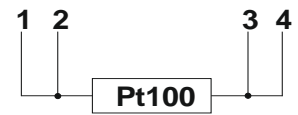
1 x Pt 100
2-wire-circuit



3-wire-circuit



4-wire-circuit



2 x Pt 100 2-wire-circuit

