

FK11

Conductive level switch with cable electrodes

- **simple mounting**
- **robust plastic-
or stainless steel housing**
- **process connection G 1/2 up to G 2
made of plastic or stainless steel**
- **up to 7 switching points realizable**
- **electrode length individually adjustable
(max. length: 15 m)**
- **max. pressure: atmospheric**
- **max. temperature: 90 °C**



Description:

The conductive rope probes of type FK11 are suitable to detect the level of conductible liquids along with the electrode relay FKE.

An alternating current is connected to an electrode insulated of the vessels casing. If this electrode is wetted a small current flows from the electrode to the casing of the vessel (in the case of plastic vessels, a separate common ground electrode is used).

This current is detected by the electrode relay and output as a switching signal.

Typical applications:

- To detect the fill limits in tanks containing conductive liquids
- To report whether the tank is empty or full
- To switch over between filling heights
- To provide overflow protection
- To provide dry running protection

Advantages:

- No moving parts
- Not influenced by density of fluid

Models:

FK11: single and multiple electrodes with fixed male thread and adjustable ropes with electrodes of stainless steel 1.4571

Technical Data:

max. pressure: for pressureless operation

Medium-temperature range: -20 °C... +90 °C

Protection class: IP65

Materials:

Connection housing: POM (standard), polypropylene, PTFE, stainless steel 1.4571

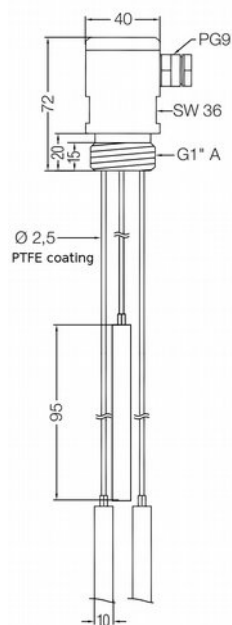
Process connection: POM, polypropylene, PTFE, stainless steel

Probe cable: PTFE- coated

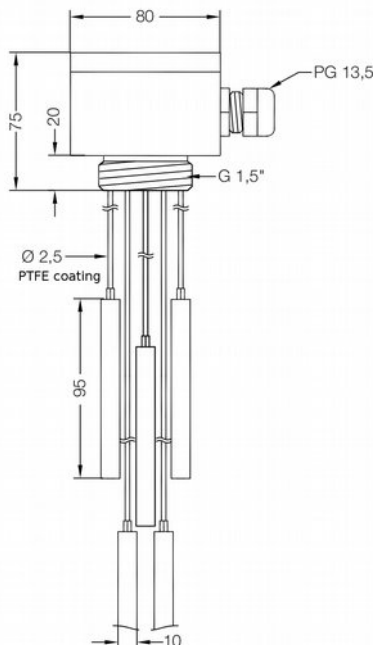
Electrode: stainless steel 1.4571

Dimensions:

max. 3 electrodes:



max. 4 electrodes:



Order Code:

Order number: FK11. 1. 15. 1. 1. 1. LA. 0.

Conductive level switch with cable electrode

Material connection housing and process connection:

1 = POM (standard)
2 = polypropylene small
3 = polypropylene big
4 = PTFE small
5 = PTFE big

Process connection:

15 = G 1/2 (max. 1 electrode)
20 = G 3/4 (max. 2 electrodes)
25 = G 1 (max. 3 electrodes)
40 = G 1 1/2 (max. 4 electrodes)
50 = G 2 (max. 7 electrodes)

Number of electrodes:

1...7

Electrode material:

1 = stainless steel 1.4571
9 = others on request

Diameter of electrode tip:

1 = 4 mm (Standard)
2 = 6 mm
3 = 8 mm
4 = 10 mm

Rope length (from sealing edge of thread):

LA = length 5000 mm
LS = customer-specific
E.g.: L₁3000 / L₂4000 / L₃5000 and so on.

Options:

0 = without
9 = please specify in plain text

Accessory:

FKE Electronic controller for conductive level sensors



Level