

PLASTIC FLOW METER MBC SERIES

Technical Data

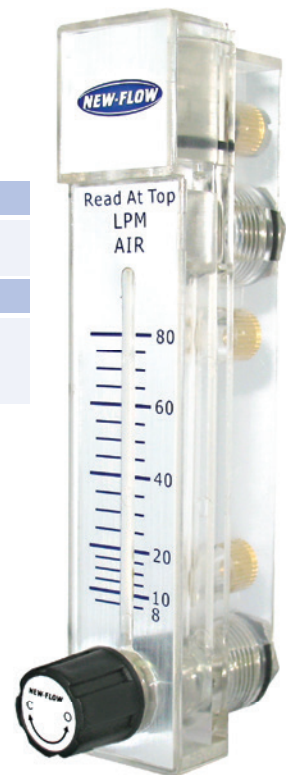
Service: gas & liquid
 Wetted parts material: Body- Polycarbonate (PC);
 O-Ring- Viton (standard); Float- SS316, POM Plastic
 Valve material: SS316
 Connection material: SS316
 Connection size: 1/8" NPT female; and female 1/4" NPT, R1/4", G1/4" available
 Pressure limit: 150 psig (10bar) @100°F (38°C)
 Temperature limit: -10°C~+60°C
 Accuracy: ±3% full scale
 Mounting: vertical position
 Weight: 75 g

Approvals:

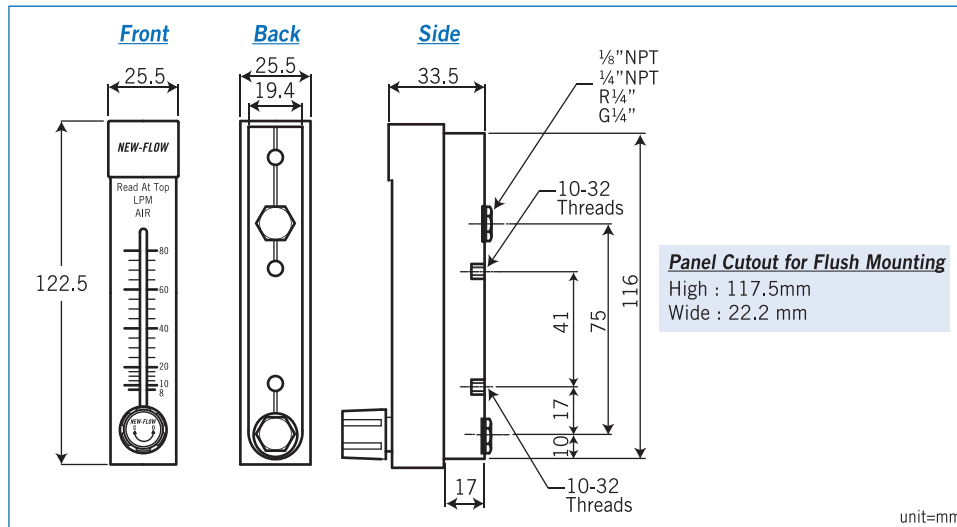


Patent No.

Taiwan: M398628
 China: 1850114
 U.S: 7980127B1



Dimensions



Panel Cutout for Flush Mounting
 High : 117,5mm
 Wide : 22,2 mm

Range Table & Ordering Information

A. Fluid Type: Water

Item	Flow Range	Float Material	Flow Unit	Needle Valve	Ordering Code [* for 1/8" NPT(F), standard]	Other Connection Size
1	10~100	SS316	cc/min, cc per Minute	(V)with/(N)without	MBC-V(N)-S-W-100-C	+N2: 1/4" NPT(F) +R2: R1/4"(F) +G2: G1/4"(F) Ordering code example: MBC-V-S-W-100-C+N2 → MBC = Model → V = With Needle Valve → S = Float SS316 → W = Water → 100 = 10-100 → C = cc/min → N2 = 1/4" NPT(F)
2	25~250	POM	cc/min, cc per Minute	(V)with/(N)without	MBC-V(N)-P-W-250-C	
3	30~300	POM	cc/min, cc per Minute	(V)with/(N)without	MBC-V(N)-P-W-300-C	
4	50~500	POM	cc/min, cc per Minute	(V)with/(N)without	MBC-V(N)-P-W-500-C	
5	100~1000	SS316	cc/min, cc per Minute	(V)with/(N)without	MBC-V(N)-S-W-1000-C	
6	0.6~6	SS316	LPH, Litter per Hour	(V)with/(N)without	MBC-V(N)-S-W-6-LH	
7	0.8~8	POM	LPH, Litter per Hour	(V)with/(N)without	MBC-V(N)-P-W-8-LH	
8	1.5~15	POM	LPH, Litter per Hour	(V)with/(N)without	MBC-V(N)-P-W-15-LH	
9	2~20	POM	LPH, Litter per Hour	(V)with/(N)without	MBC-V(N)-P-W-20-LH	
10	2.5~25	POM	LPH, Litter per Hour	(V)with/(N)without	MBC-V(N)-P-W-25-LH	
11	3~30	POM	LPH, Litter per Hour	(V)with/(N)without	MBC-V(N)-P-W-30-LH	
12	5~50	SS316	LPH, Litter per Hour	(V)with/(N)without	MBC-V(N)-S-W-50-LH	
13	8~80	SS316	LPH, Litter per Hour	(V)with/(N)without	MBC-V(N)-S-W-80-LH	
14	15~150	SS316	LPH, Litter per Hour	(V)with/(N)without	MBC-V(N)-S-W-150-LH	
15	20~200	SS316	LPH, Litter per Hour	(V)with/(N)without	MBC-V(N)-S-W-200-LH	
16	25~250	SS316	LPH, Litter per Hour	(V)with/(N)without	MBC-V(N)-S-W-250-LH	

B. Fluid Type: Water

Item	Flow Range	Float Material	Flow Unit	Needle Valve	Ordering Code [* for 1/8" NPT(F), standard]	Other Connection Size
1	0.2~2	POM	GPH, Gallon (us) per Hour	(V)with/(N)without	MBC-V(N)-P-W-2-GH	+N2: 1/4" NPT(F) +R2: R1/4"(F) +G2: G1/4"(F)
2	0.5~5	POM	GPH, Gallon (us) per Hour	(V)with/(N)without	MBC-V(N)-P-W-5-GH	
3	0.8~8	POM	GPH, Gallon (us) per Hour	(V)with/(N)without	MBC-V(N)-P-W-8-GH	
4	1.3~13	SS316	GPH, Gallon (us) per Hour	(V)with/(N)without	MBC-V(N)-S-W-13-GH	
5	2~20	SS316	GPH, Gallon (us) per Hour	(V)with/(N)without	MBC-V(N)-S-W-20-GH	
6	4~40	SS316	GPH, Gallon (us) per Hour	(V)with/(N)without	MBC-V(N)-S-W-40-GH	
7	5~50	SS316	GPH, Gallon (us) per Hour	(V)with/(N)without	MBC-V(N)-S-W-50-GH	
8	6.5~65	SS316	GPH, Gallon (us) per Hour	(V)with/(N)without	MBC-V(N)-S-W-65-GH	

C. Fluid Type: Air

Item	Flow Range	Float Material	Flow Unit	Needle Valve	Ordering Code [*for 1/8" NPT(F), standard]	Other Connection Size
1	50~500	POM	cc/min, cc per Minute	(V)with/(N)without	MBC-V(N)-P-A-500-C	+N2: ¼" NPT(F) +R2: R¼" (F) +G2: G¼" (F)
2	70~700	POM	cc/min, cc per Minute	(V)with/(N)without	MBC-V(N)-P-A-700-C	
3	0.1~1	POM	LPM, Normal Litter per Minute	(V)with/(N)without	MBC-V(N)-P-A-1-LM	
4	100~1000	POM	cc/min, cc per Minute	(V)with/(N)without	MBC-V(N)-P-A-1000-C	
5	0.2~2	POM	LPM, Normal Litter per Minute	(V)with/(N)without	MBC-V(N)-P-A-2-LM	
6	0.25~2.5	SS316	LPM, Normal Litter per Minute	(V)with/(N)without	MBC-V(N)-S-A-2.5-LM	
7	0.4~4	SS316	LPM, Normal Litter per Minute	(V)with/(N)without	MBC-V(N)-S-A-4-LM	
8	0.5~5	SS316	LPM, Normal Litter per Minute	(V)with/(N)without	MBC-V(N)-S-A-5-LM	
9	0.6~6	SS316	LPM, Normal Litter per Minute	(V)with/(N)without	MBC-V(N)-S-A-6-LM	
10	1~10	POM	LPM, Normal Litter per Minute	(V)with/(N)without	MBC-V(N)-P-A-10-LM	
11	1.5~15	POM	LPM, Normal Litter per Minute	(V)with/(N)without	MBC-V(N)-P-A-15-LM	
12	2.5~25	SS316	LPM, Normal Litter per Minute	(V)with/(N)without	MBC-V(N)-S-A-25-LM	
13	2.5~25	POM	LPM, Normal Litter per Minute	(V)with/(N)without	MBC-V(N)-P-A-25-LM	
14	3~30	POM	LPM, Normal Litter per Minute	(V)with/(N)without	MBC-V(N)-P-A-30-LM	
15	4~40	SS316	LPM, Normal Litter per Minute	(V)with/(N)without	MBC-V(N)-S-A-40-LM	
16	4~40	POM	LPM, Normal Litter per Minute	(V)with/(N)without	MBC-V(N)-P-A-40-LM	
17	5~50	SS316	LPM, Normal Litter per Minute	(V)with/(N)without	MBC-V(N)-S-A-50-LM	
18	7~70	SS316	LPM, Normal Litter per Minute	(V)with/(N)without	MBC-V(N)-S-A-70-LM	
19	8~80	SS316	LPM, Normal Litter per Minute	(V)with/(N)without	MBC-V(N)-S-A-80-LM	
20	10~100	SS316	LPM, Normal Litter per Minute	(V)with/(N)without	MBC-V(N)-S-A-100-LM	
Ordering code example: MBC-V-P-A-500-C+N2 → MBC = Model → V = With Needle Valve → P = Float POM → A = Air → 500 = 50~500 → C = cc/min → N2 = ¼" NPT(F)						
Item	Flow Range	Float Material	Flow Unit	Needle Valve	Ordering Code [*for 1/8" NPT(F), standard]	Other Connection Size
21	12~120	POM	LPH, Normal Litter per Hour	(V)with/(N)without	MBC-V(N)-P-A-120-LH	+N2: ¼" NPT(F) +R2: R¼" (F) +G2: G¼" (F)
22	25~250	SS316	LPH, Normal Litter per Hour	(V)with/(N)without	MBC-V(N)-S-A-250-LH	
23	35~350	SS316	LPH, Normal Litter per Hour	(V)with/(N)without	MBC-V(N)-S-A-350-LH	
24	60~600	POM	LPH, Normal Litter per Hour	(V)with/(N)without	MBC-V(N)-P-A-600-LH	
Item	Flow Range	Float Material	Flow Unit	Needle Valve	Ordering Code [*for 1/8" NPT(F), standard]	Other Connection Size
25	0.1~1	POM	NM ³ /H, Normal Cubic Meter per Hour	(V)with/(N)without	MBC-V(N)-P-A-1-MH	+N2: ¼" NPT(F) +R2: R¼" (F) +G2: G¼" (F)
26	0.15~1.5	SS316	NM ³ /H, Normal Cubic Meter per Hour	(V)with/(N)without	MBC-V(N)-S-A-1.5-MH	
27	0.2~2	POM	NM ³ /H, Normal Cubic Meter per Hour	(V)with/(N)without	MBC-V(N)-P-A-2-MH	
28	0.25~2.5	SS316	NM ³ /H, Normal Cubic Meter per Hour	(V)with/(N)without	MBC-V(N)-S-A-2.5-MH	
29	0.4~4	SS316	NM ³ /H, Normal Cubic Meter per Hour	(V)with/(N)without	MBC-V(N)-S-A-4-MH	
30	0.5~5	SS316	NM ³ /H, Normal Cubic Meter per Hour	(V)with/(N)without	MBC-V(N)-S-A-5-MH	
31	0.6~6	SS316	NM ³ /H, Normal Cubic Meter per Hour	(V)with/(N)without	MBC-V(N)-S-A-6-MH	
Item	Flow Range	Float Material	Flow Unit	Needle Valve	Ordering Code [*for 1/8" NPT(F), standard]	Other Connection Size
32	0.5~5	POM	SCFH, Standard Cubic Feet per Hour	(V)with/(N)without	MBC-V(N)-P-A-5-SH	+N2: ¼" NPT(F) +R2: R¼" (F) +G2: G¼" (F)
33	1~10	SS316	SCFH, Standard Cubic Feet per Hour	(V)with/(N)without	MBC-V(N)-S-A-10-SH	
34	1.2~12	SS316	SCFH, Standard Cubic Feet per Hour	(V)with/(N)without	MBC-V(N)-S-A-12-SH	
35	2~20	POM	SCFH, Standard Cubic Feet per Hour	(V)with/(N)without	MBC-V(N)-P-A-20-SH	
36	3~30	POM	SCFH, Standard Cubic Feet per Hour	(V)with/(N)without	MBC-V(N)-P-A-30-SH	
37	5~50	SS316	SCFH, Standard Cubic Feet per Hour	(V)with/(N)without	MBC-V(N)-S-A-50-SH	
38	7~70	POM	SCFH, Standard Cubic Feet per Hour	(V)with/(N)without	MBC-V(N)-P-A-70-SH	
39	8~80	SS316	SCFH, Standard Cubic Feet per Hour	(V)with/(N)without	MBC-V(N)-S-A-80-SH	
40	14~140	SS316	SCFH, Standard Cubic Feet per Hour	(V)with/(N)without	MBC-V(N)-S-A-140-SH	
41	16~160	SS316	SCFH, Standard Cubic Feet per Hour	(V)with/(N)without	MBC-V(N)-S-A-160-SH	
42	20~200	SS316	SCFH, Standard Cubic Feet per Hour	(V)with/(N)without	MBC-V(N)-S-A-200-SH	