

FLOW SIGHT GLASS GAUGE

NAH-1 – WITHOUT ROTOR NAH-2 – WITH ROTOR

NAH are used for mounting in pipes for fluids. The instruments are equipped with female threads at inlet and outlet and can be supplied with either brass or stainless steel fittings.

Technical Data

Material: Body– Polycarbonate (P.C), Polysulfone (PSU) & SS316 available
 Tube Housing– Polycarbonate (P.C), Polysulfone (PSU) & Glass available
 O-Rings– Viton; Thread Connection– SS316; Rotor Guide– SS316
Rotor– POM (Orange), PP+10% glass fiber (Yellow), PVDF (Red or White), PPS+40% glass fiber (Dark Brown) available

Viscosity: 1~150 mm²/s

Indication Range: minimum 0.4~4 L/Min; maximum 1.6~40 L/Min for water

Max. Pressure: PC body: 8 bar; PSU body: 12 bar; SS316 body: 16 bar

Max. Temperature: PC body: -5°C~+80°C; PSU & SS316 body: -5°C~+100°C;

Rotors: please refer to the Optional for Rotors

Connection Size: 1/4", 3/8", 1/2", 3/4", 1" female PF or NPT available

Approvals:



Patent No.

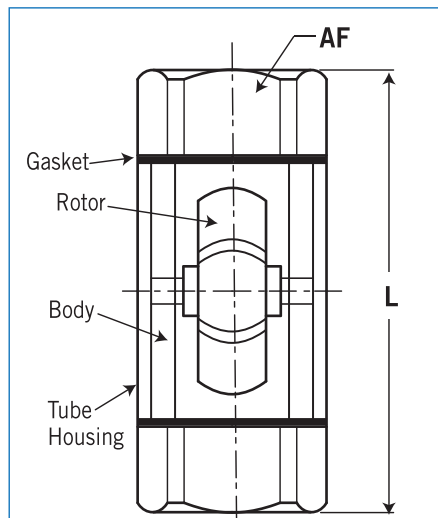
Taiwan: M385024
 China: 1854921
 U.S.: 8418567B2



NAH-1

NAH-2

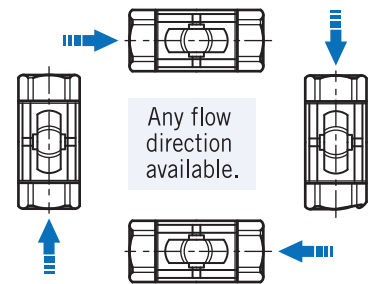
Dimensions-mm



Range Table

PF/NPT	With Rotor	Without Rotor
1/4"	0.4~4 L/Min	8.3 L/Min
3/8"	0.6~8 L/Min	11.1 L/Min
1/2"	1~12 L/Min	31.5 L/Min
3/4"	1~25 L/Min	36.5 L/Min
1"	1.6~40 L/Min	38.0 L/Min

Flow Direction



SIZE	L		AF	
	NPT	PF	NPT	PF
1/4"	80	80	30	30
3/8"	80	80	30	30
1/2"	104	104	40	40
3/4"	104	104	40	40
1"	104	104	40	46

Optional for Rotors

POM Color: Orange Temp. Limit: 100°C	PP+10% Glass Fiber Color: Yellow Temp. Limit: 60°C	PPS+40% Glass Fiber Color: Dark Brown Temp. Limit: 200°C	PVDF Color: Red or White Temp. Limit: 100°C

NOTE: The temperature limit above-mentioned is only for the reference to the rotors. Please also considering the max. temperature of body in the operating.

Ordering Information

NAH	Code	Model	Code	O-Ring Material
	1	Without Rotor	2	With Rotor
			V	Viton
		Code	Code	Rotor Material (Color)
		1	1	POM (Orange)
		2	2	PP+10% Glass Fiber (Yellow)
		3	3	Without Rotor (for NAH-1 only)
			4	PPS+40% Glass Fiber (Dark Brown)
			5	PVDF (Red)
			6	PVDF (White)
		Code		
		Code	Code	
		1	1	NPT Female
		2	2	PF Female
NAH				+ Complete Ordering Code