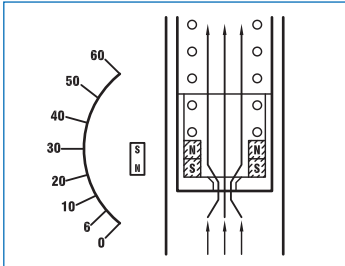


FLOW SWITCH AND INDICATOR OF100 SERIES

Technical Data

Piston type for high viscosity
Fluid: Water, oil, other liquid available; Gases
Flow Range: 15~30,000 l/h (at Water); 0.4~740 Nm³/h (at Air)
Accuracy: ±3% F.S, On request: ±2.5% F.S
Size: ¼" to 2½"
Connection Type: NPT, Flange type on request
Working Limits: Temperature: -40°C to +180°C
Working Pressure: 30 kg/cm²
 Option—100 kg/cm² for 1" or less
 Option—200 kg/cm² for 1½" or bigger
Protection Class: IP66, Explosion proof
Housing Material: NS, CS, MS type—Aluminum Alloy
 ES type—SS316
Lens Material: Safety glass
Mounting: Vertical, Horizontal available
Material: Wetted parts SS316; Teflon lining float for Gases application
Alarm Switch: Micro switch, Inductive switch available

Principle



Approvals:

Switches with UL & CSA Recognized and File No. E41515.

TD0400TJ
 工電(2015)第00151號
 (ITRI)2017第07-00302號



NS Type (Indicating only)



CS Type (With inductive switch)



ES Type (Indicating only)



MS Type (With micro or reed switch)

Patent No.

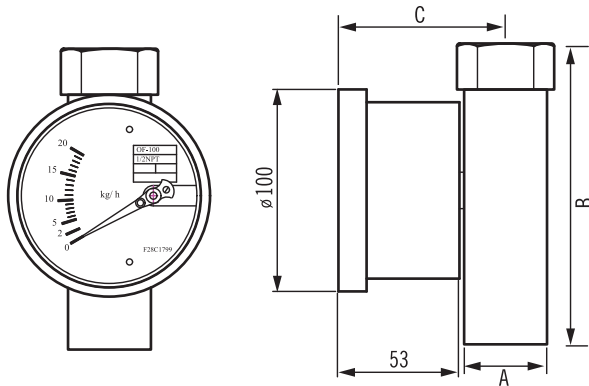
Taiwan: M285697 / M338982 / M332836
 China: 1187801

SIL2 Certified

Dimensions

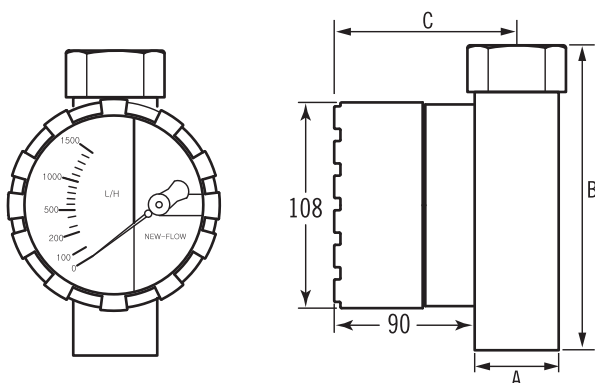
IP68

ES Type
 Housing Material: SS316



IP66

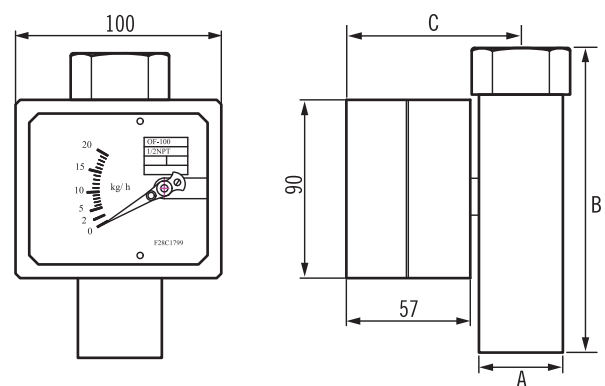
MS Type
 Housing Material: Aluminum alloy



unit=mm

IP66

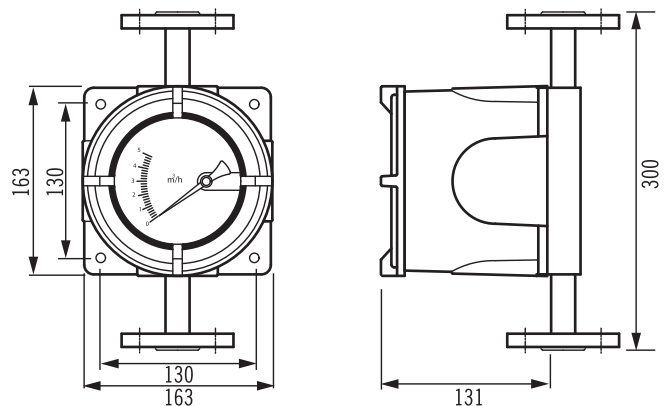
CS, NS Type
 Housing Material: Aluminum alloy



Explosion Proof

Housing Material: Aluminum alloy, SS316 available

- Explosion Proof Certificate on Housing Only
- Taiwan Explosion Proof Certification

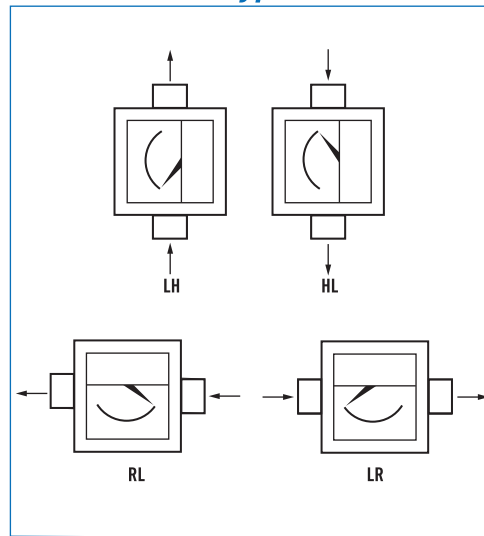


unit=mm

Standard Scales

Tube	L/H Water 20°C	NM ³ /H Air 0°C 1.013bar	A	B	C	BSP/ NPT
OF101	15 ~ 70	—		150		1/4"
OF102	18 ~ 80	0.4 ~ 2		150		1/4"
OF103	20 ~ 100	0.5 ~ 2.5		150		1/4"
OF104	25 ~ 125	0.6 ~ 3.2		150		1/4"
OF105	30 ~ 150	0.75 ~ 3.8		150		1/4"
OF106	40 ~ 210	1 ~ 5		150		1/2"
OF107	60 ~ 330	1.5 ~ 7.5		150		1/2"
OF108	70 ~ 400	1.6 ~ 8		150		1/2"
OF109	120 ~ 650	3 ~ 15		150		1/2"
OF110	160 ~ 800	4 ~ 20		150		1/2"
OF111	190 ~ 950	4.8 ~ 24		150		1/2"
OF112	300~1500	6.4 ~ 32		150		1/2"
OF113	200~1000	8 ~ 40		150		3/4"
OF114	350 ~ 1900	10 ~ 50		150		3/4"
OF115	500 ~ 2700	13 ~ 65		150		3/4"
OF116	700 ~ 3500	18 ~ 90		150		1"
OF117	800 ~ 6000	20 ~ 150		150		1"
OF118	800 ~ 6000	20 ~ 150		160		1 1/2"
OF119	900 ~ 7000	23 ~ 175		160		1 1/2"
OF120	2000~ 14000	70~ 350		160		1 1/2"
OF121	1500 ~ 20000	100 ~ 500		160		2"
OF122	2000 ~ 16200	50 ~ 400		160		2 1/2"
OF123	3000 ~ 30000	140 ~ 740		160		2 1/2"

Flow Direction Type



Ordering Information

OF100	Code	Type	Code	Housing Protection / Material			
<div style="background-color: yellow; padding: 2px;">SIL2 Certified</div>	NS	Indicating only (Aluminum alloy)	A	Weather proof type, IP66 / IP68			
	ES	Indicating only (SS316)	C	(Ex. Certificate on Housing only) / Aluminum alloy Class I, Groups B, C & D; Class II, Groups E, F & G; NEMA 4, 7, 9			
	CS	With Inductive Switch	D	(Taiwan Explosion Proof Certification) / Aluminum alloy Ex d IIB + H2 T6 Gb			
	GS MS	With Micro Switch	D1	(Taiwan Explosion Proof Certification) / SS316 Ex d IIB + H2 T6 Gb			
	RS	With Reed Switch	X	(Europe Union ATEX Certification) / Aluminum alloy II 2 G Ex db IIB + H2 T6 Gb Ta -20°C to +60°C			
	GT	Indicating+4~20mA (no alarm switch available)					
	GTA	Hall Sensor Type / Indicating+4~20mA (no alarm switch available)					
	GTH	HART Type / Indicating+HART [4~20mA / Intrinsically Safe (EExialICT6)], no alarm switch available					
		Code	Switch	Code	Flow Direction		
		O	Without alarm switch	O	LH 5 HL		
	C1	One inductive alarm switch	10	RL 20 LR			
	M1	One micro alarm switch		Code	Flow Direction		
	R1	One reed switch		G	Gas		
		Code	Body Material	O	Oil		
		A	SS316	L	Liquid		
			B	Option	Code	Range	
					S	Standard Range	
			Code	Connection Type		Code	Conduit
				(O) Thread Connection		(N)	Without
				(5) JIS 5K (10) JIS 10K (20) JIS 20K		(1)	1/2" NPT(F) (2) 3/4" NPT(F)
				(15) ANSI 150# (30) ANSI 300#		Code	Transmitter Type
				(40) ANSI 400# (60) ANSI 600#		G	General Type
				(T) Other: _____		TA	5335A (SIL)
			Code	Connection Size		TD	5335D (SIL)
				(1) 1/4" (2) 1/2" (3) 3/4" (4) 1"		O	Without Transmitter
				(5) 1 1/2" (6) 2" (7) 2 1/2"			